

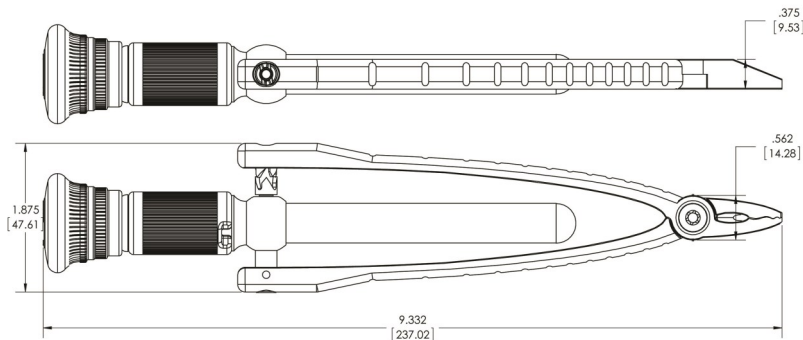
TIGERWAVE™

You asked for it—the TIGERWAVE is back, and it's better than ever! This innovative tool is packed with new features, all designed to make the job easier.

The Milbar® 7W TIGERWAVE™ reversible safety wire twister pliers is machined from high grade 4140 tool steel and manufactured to exacting engineering specifications. **MADE IN U.S.A.**

7W Features

- ◆ **Wave jaw** holds wire securely, eliminates wire damage
- ◆ **Patented "One-Click" technology** for ease of opening and closing
- ◆ **Reversible**, with improved, smooth operating shift mechanism
- ◆ **Sleek** narrow head for tight spaces
- ◆ **No F.O.D.** Heat & chemical resistant Viton® cushion throat traps cut wire
- ◆ **Textured non-slip grip handles**
- ◆ **Machined** finish
- ◆ **Eco-friendly** zinc phosphate finish
- ◆ Cuts up to .041" wire
- ◆ Diagonal nose
- ◆ 6" Nom. length



MILBAR®

(888) 467-8665



Stride Tool 30333 Emerald Valley Parkway, Glenwillow, OH 44139 USA
© 2016 Stride Tool, LLC. All rights reserved. Patent Pending.
www.stridetool.com • www.imperial-tools.com • info@stridetool.com